

Turning Movement Summary Diagram

North On 22		
Vehicle Type	Vol	%
A: Passenger Vehicle	1713	72.6
B: Recreational Vehicle	42	1.8
C: Bus	1	0.0
D: Single Unit Truck	182	7.7
E: Tractor Trailer Unit	422	17.9
ASDT	2660	
AAADT	2360	

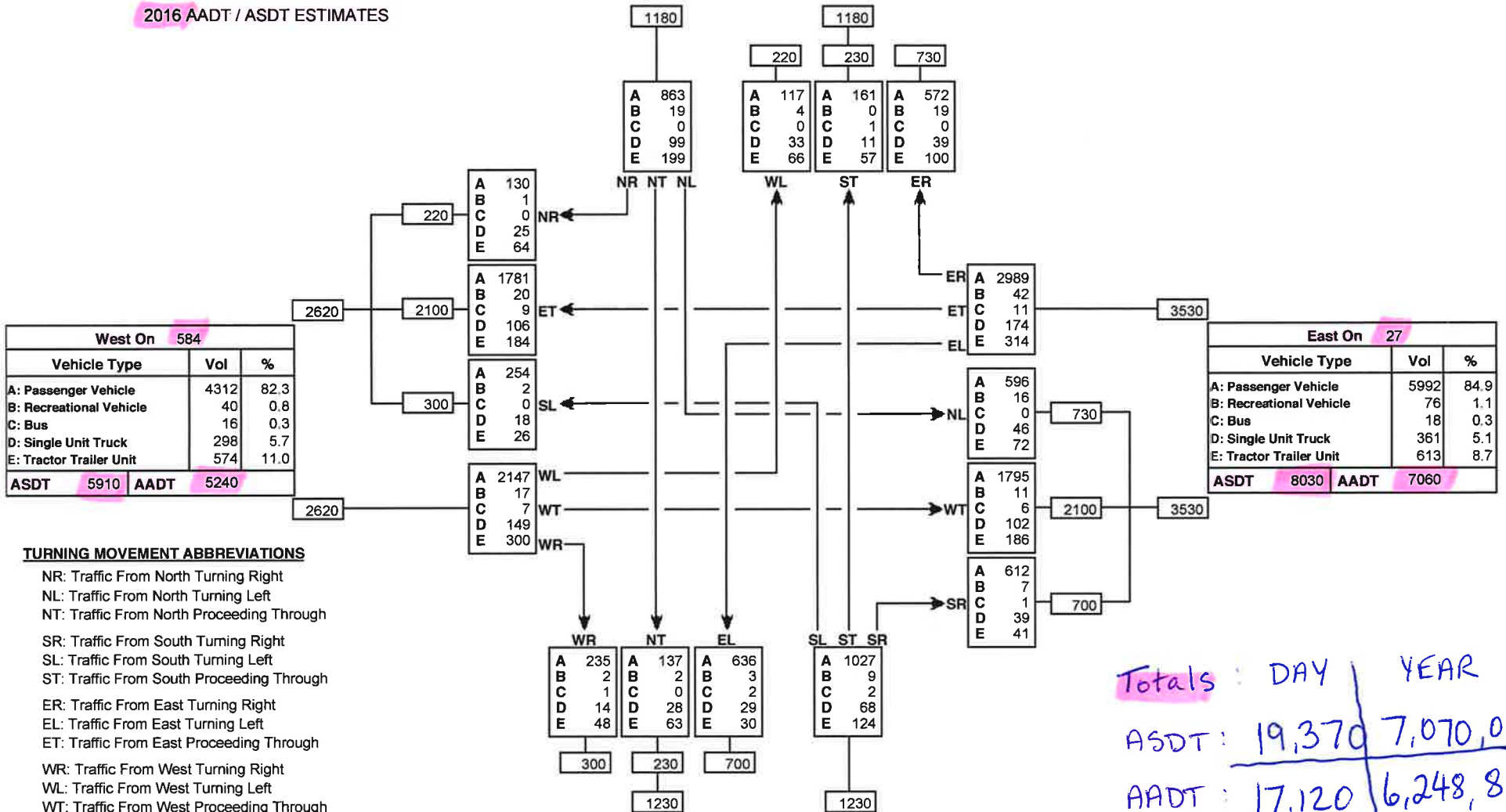
Reference No.: 57280

Intersection of:

22 & 27 & 584 W OF SUNDRE WJ

+ 10th St. SW

2016 AADT / ASDT ESTIMATES



West On 584		
Vehicle Type	Vol	%
A: Passenger Vehicle	4312	82.3
B: Recreational Vehicle	40	0.8
C: Bus	16	0.3
D: Single Unit Truck	298	5.7
E: Tractor Trailer Unit	574	11.0
ASDT	5910	
AAADT	5240	

East On 27		
Vehicle Type	Vol	%
A: Passenger Vehicle	5992	84.9
B: Recreational Vehicle	76	1.1
C: Bus	18	0.3
D: Single Unit Truck	361	5.1
E: Tractor Trailer Unit	613	8.7
ASDT	8030	
AAADT	7060	

South On Rge Rd 54 10 th Street SW		
Vehicle Type	Vol	%
A: Passenger Vehicle	2035	82.7
B: Recreational Vehicle	16	0.7
C: Bus	5	0.2
D: Single Unit Truck	139	5.7
E: Tractor Trailer Unit	265	10.8
ASDT	2770	
AAADT	2460	

TURNING MOVEMENT ABBREVIATIONS

- NR: Traffic From North Turning Right
- NL: Traffic From North Turning Left
- NT: Traffic From North Proceeding Through
- SR: Traffic From South Turning Right
- SL: Traffic From South Turning Left
- ST: Traffic From South Proceeding Through
- ER: Traffic From East Turning Right
- EL: Traffic From East Turning Left
- ET: Traffic From East Proceeding Through
- WR: Traffic From West Turning Right
- WL: Traffic From West Turning Left
- WT: Traffic From West Proceeding Through

TURNING MOVEMENT ABBREVIATIONS

- AAADT: Average Annual Daily Traffic
Average daily traffic expressed as vehicles per day for period of January 1 to December 31 (365 days)
- ASDT: Average Summer Daily Traffic
Average daily traffic expressed as vehicles per day for period of May 1 to September 30 (153 days)

Totals: DAY | YEAR
 ASDT: 19,370 | 7,070,050
 AADT: 17,120 | 6,248,800

Turning Movement Summary Diagram

North On 22		
Vehicle Type	Vol	%
A: Passenger Vehicle	233	72.6
B: Recreational Vehicle	9	2.8
C: Bus	2	0.6
D: Single Unit Truck	20	6.2
E: Tractor Trailer Unit	57	17.8
Total	321	

Reference No.: 57280

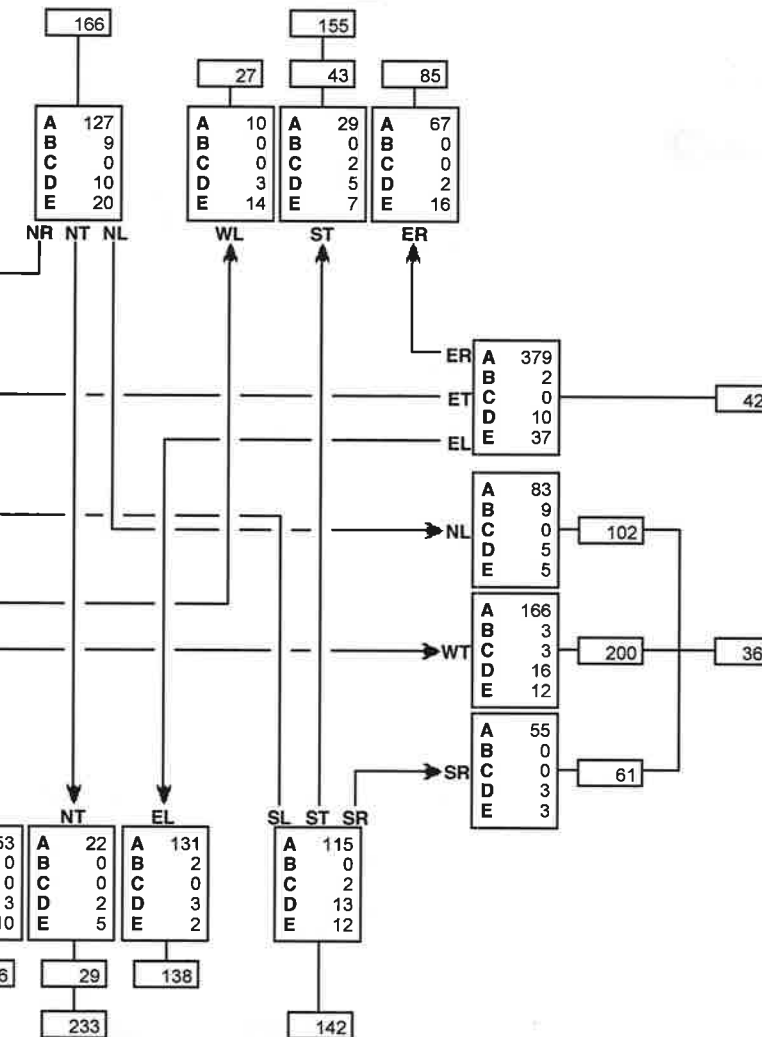
Intersection of:

22 & 27 & 584 W OF SUNDRE WJ

2016 a.m. 100th Highest Hour ESTIMATES

West On 584		
Vehicle Type	Vol	%
A: Passenger Vehicle	463	81.1
B: Recreational Vehicle	3	0.5
C: Bus	3	0.5
D: Single Unit Truck	35	6.1
E: Tractor Trailer Unit	67	11.7
Total	571	

East On 27		
Vehicle Type	Vol	%
A: Passenger Vehicle	683	86.3
B: Recreational Vehicle	14	1.8
C: Bus	3	0.4
D: Single Unit Truck	34	4.3
E: Tractor Trailer Unit	57	7.2
Total	791	



TURNING MOVEMENT ABBREVIATIONS

- NR: Traffic From North Turning Right
- NL: Traffic From North Turning Left
- NT: Traffic From North Proceeding Through
- SR: Traffic From South Turning Right
- SL: Traffic From South Turning Left
- ST: Traffic From South Proceeding Through
- ER: Traffic From East Turning Right
- EL: Traffic From East Turning Left
- ET: Traffic From East Proceeding Through
- WR: Traffic From West Turning Right
- WL: Traffic From West Turning Left
- WT: Traffic From West Proceeding Through

South On Rge Rd 54		
Vehicle Type	Vol	%
A: Passenger Vehicle	321	85.6
B: Recreational Vehicle	2	0.5
C: Bus	2	0.5
D: Single Unit Truck	21	5.6
E: Tractor Trailer Unit	29	7.7
Total	375	

Turning Movement Summary Diagram

North On 22		
Vehicle Type	Vol	%
A: Passenger Vehicle	154	70.3
B: Recreational Vehicle	7	3.2
C: Bus	0	0.0
D: Single Unit Truck	22	10.0
E: Tractor Trailer Unit	36	16.4
Total		219

Reference No.: 57280

Intersection of:

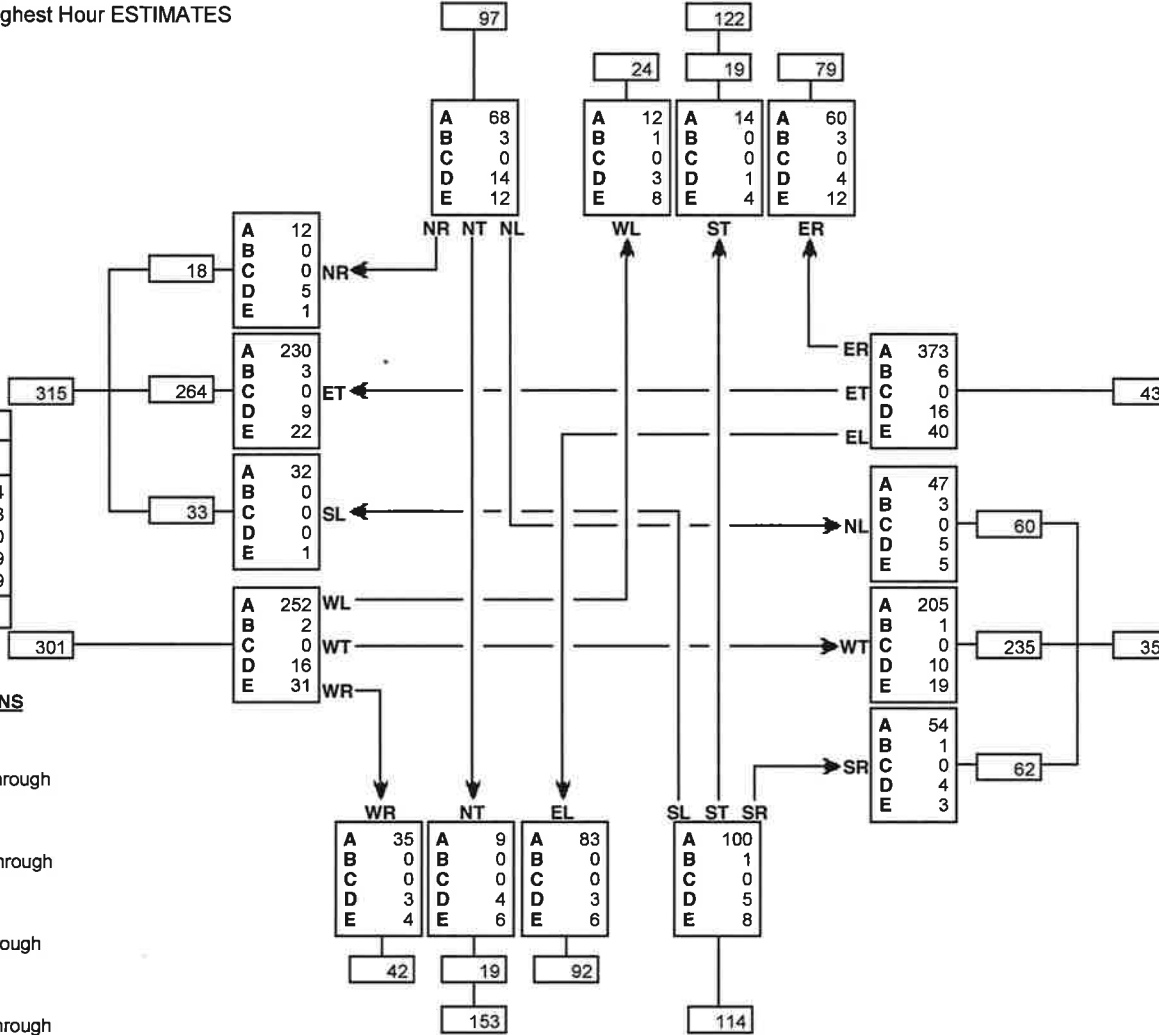
22 & 27 & 584 W OF SUNDRE WJ

2016 p.m. 100th Highest Hour ESTIMATES

West On 584		
Vehicle Type	Vol	%
A: Passenger Vehicle	526	85.4
B: Recreational Vehicle	5	0.8
C: Bus	0	0.0
D: Single Unit Truck	30	4.9
E: Tractor Trailer Unit	55	8.9
Total		616

East On 27		
Vehicle Type	Vol	%
A: Passenger Vehicle	679	85.7
B: Recreational Vehicle	11	1.4
C: Bus	0	0.0
D: Single Unit Truck	35	4.4
E: Tractor Trailer Unit	67	8.5
Total		792

South On Rge Rd 54		
Vehicle Type	Vol	%
A: Passenger Vehicle	227	85.0
B: Recreational Vehicle	1	0.4
C: Bus	0	0.0
D: Single Unit Truck	15	5.6
E: Tractor Trailer Unit	24	9.0
Total		267



TURNING MOVEMENT ABBREVIATIONS

- NR: Traffic From North Turning Right
- NL: Traffic From North Turning Left
- NT: Traffic From North Proceeding Through
- SR: Traffic From South Turning Right
- SL: Traffic From South Turning Left
- ST: Traffic From South Proceeding Through
- ER: Traffic From East Turning Right
- EL: Traffic From East Turning Left
- ET: Traffic From East Proceeding Through
- WR: Traffic From West Turning Right
- WL: Traffic From West Turning Left
- WT: Traffic From West Proceeding Through

