

### Turning Movement Summary Diagram

Reference No.: 70000345

Intersection of:

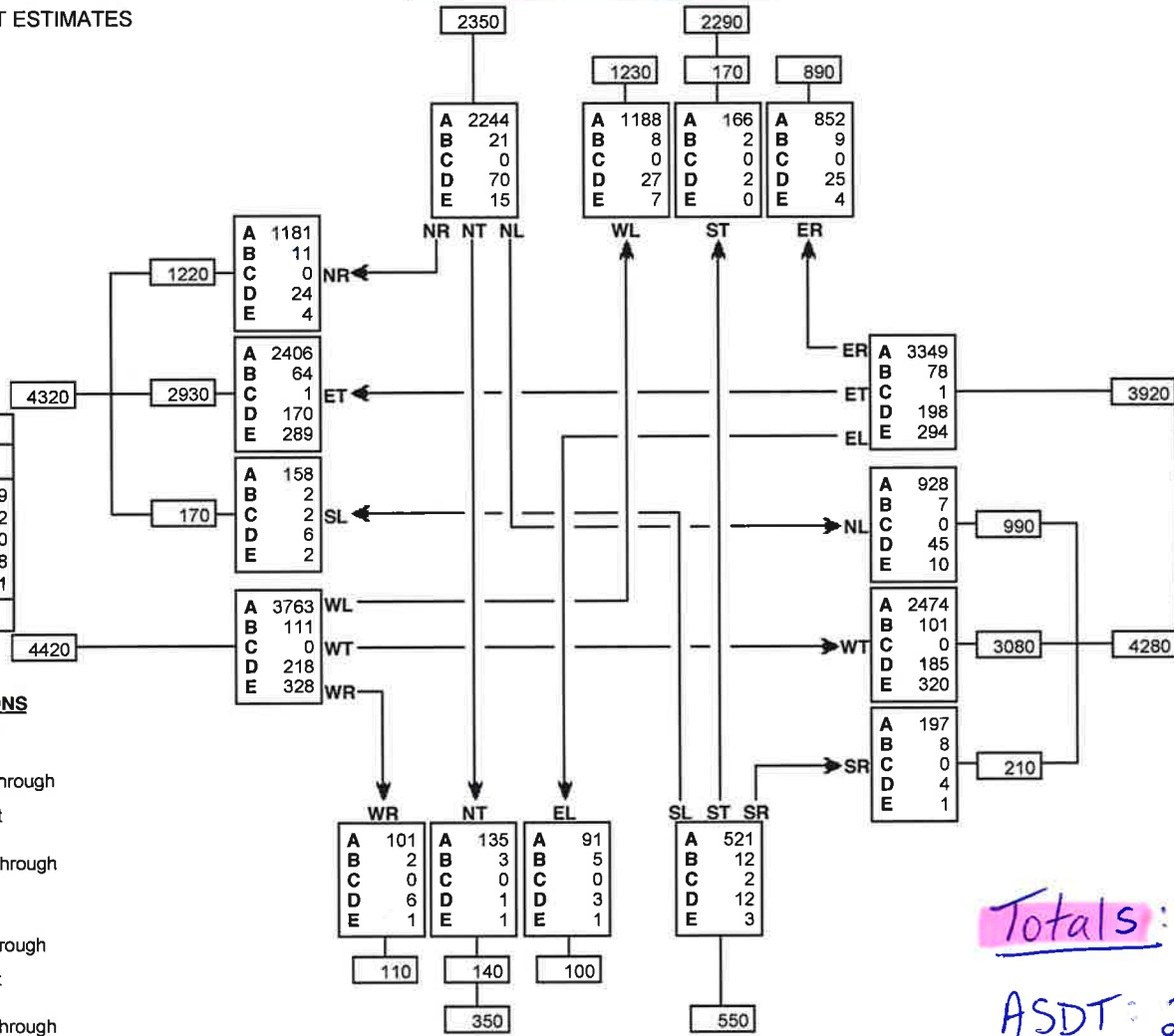
27 & CENTRE ST IN SUNDRE 4-33-5-500001350

2016 AADT / ASDT ESTIMATES

North On Centre St		
Vehicle Type	Vol	%
A: Passenger Vehicle	4450	95.9
B: Recreational Vehicle	40	0.9
C: Bus	0	0.0
D: Single Unit Truck	124	2.7
E: Tractor Trailer Unit	26	0.6
<b>ASDT</b>	<b>5280</b>	<b>AADT 4640</b>

West On 27		
Vehicle Type	Vol	%
A: Passenger Vehicle	7508	85.9
B: Recreational Vehicle	188	2.2
C: Bus	3	0.0
D: Single Unit Truck	418	4.8
E: Tractor Trailer Unit	623	7.1
<b>ASDT</b>	<b>9940</b>	<b>AADT 8740</b>

East On 27		
Vehicle Type	Vol	%
A: Passenger Vehicle	6948	84.7
B: Recreational Vehicle	194	2.4
C: Bus	1	0.0
D: Single Unit Truck	432	5.3
E: Tractor Trailer Unit	625	7.6
<b>ASDT</b>	<b>9320</b>	<b>AADT 8200</b>



#### TURNING MOVEMENT ABBREVIATIONS

- NR: Traffic From North Turning Right
- NL: Traffic From North Turning Left
- NT: Traffic From North Proceeding Through
- SR: Traffic From South Turning Right
- SL: Traffic From South Turning Left
- ST: Traffic From South Proceeding Through
- ER: Traffic From East Turning Right
- EL: Traffic From East Turning Left
- ET: Traffic From East Proceeding Through
- WR: Traffic From West Turning Right
- WL: Traffic From West Turning Left
- WT: Traffic From West Proceeding Through

#### TURNING MOVEMENT ABBREVIATIONS

- AADT:** Average Annual Daily Traffic  
Average daily traffic expressed as vehicles per day for period of January 1 to December 31 (365 days)
- ASDT:** Average Summer Daily Traffic  
Average daily traffic expressed as vehicles per day for period of May 1 to September 30 (153 days)

South On Centre St		
Vehicle Type	Vol	%
A: Passenger Vehicle	848	94.2
B: Recreational Vehicle	22	2.4
C: Bus	2	0.2
D: Single Unit Truck	22	2.4
E: Tractor Trailer Unit	6	0.7
<b>ASDT</b>	<b>1020</b>	<b>AADT 900</b>

Totals: DAY YEAR

ASDT: 25,560	9,329,400
AADT: 22,480	8,205,200

### Turning Movement Summary Diagram

Reference No.: 70000345

Intersection of:

27 & CENTRE ST IN SUNDRE 4-33-5-500001350

2016 a.m. 100th Highest Hour ESTIMATES

North On Centre St		
Vehicle Type	Vol	%
A: Passenger Vehicle	499	96.0
B: Recreational Vehicle	5	1.0
C: Bus	0	0.0
D: Single Unit Truck	11	2.1
E: Tractor Trailer Unit	5	1.0
<b>Total</b>	<b>520</b>	

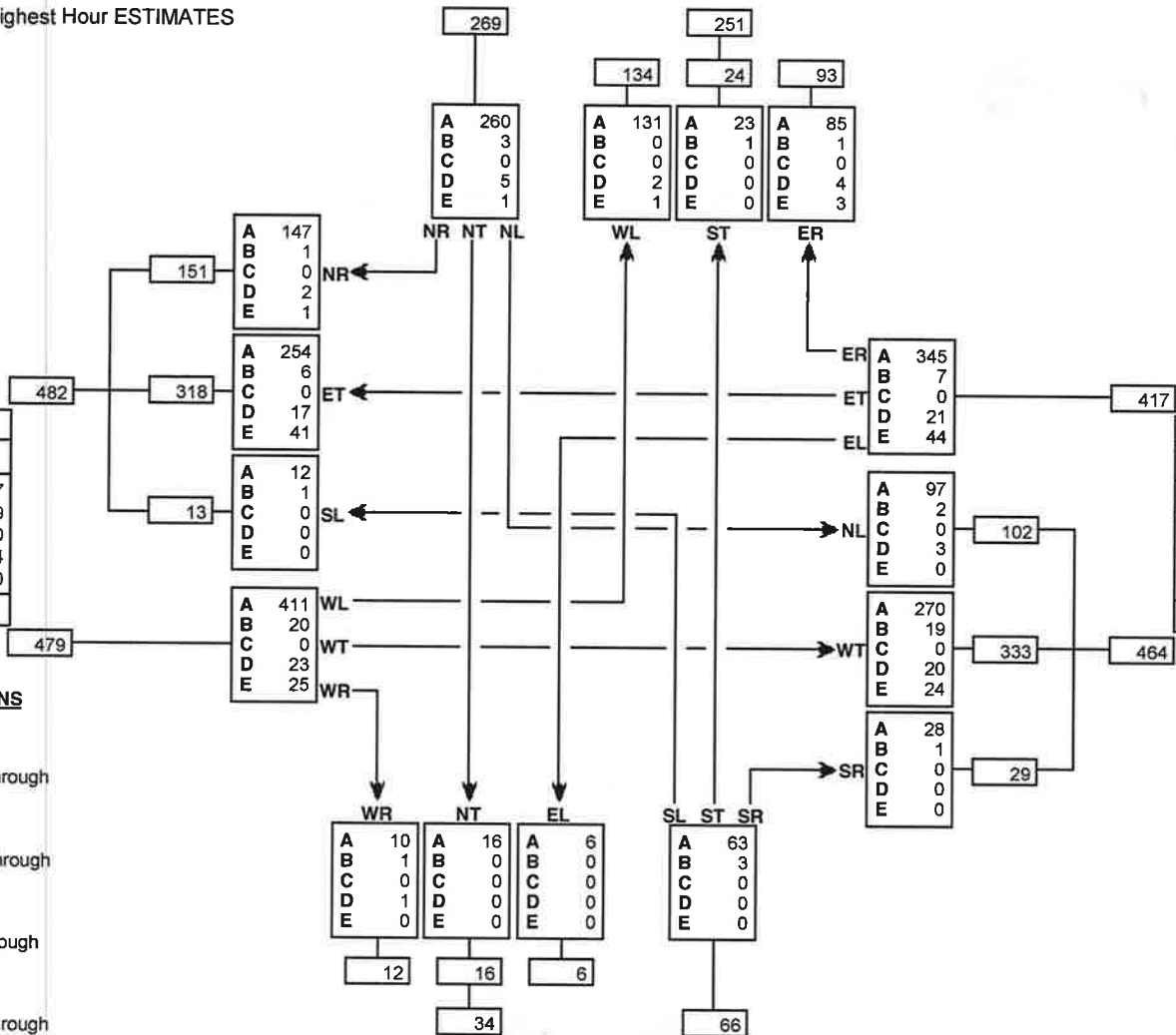
West On 27		
Vehicle Type	Vol	%
A: Passenger Vehicle	824	85.7
B: Recreational Vehicle	28	2.9
C: Bus	0	0.0
D: Single Unit Truck	42	4.4
E: Tractor Trailer Unit	67	7.0
<b>Total</b>	<b>961</b>	

East On 27		
Vehicle Type	Vol	%
A: Passenger Vehicle	740	84.0
B: Recreational Vehicle	29	3.3
C: Bus	0	0.0
D: Single Unit Truck	44	5.0
E: Tractor Trailer Unit	68	7.7
<b>Total</b>	<b>881</b>	

South On Centre St		
Vehicle Type	Vol	%
A: Passenger Vehicle	95	95.0
B: Recreational Vehicle	4	4.0
C: Bus	0	0.0
D: Single Unit Truck	1	1.0
E: Tractor Trailer Unit	0	0.0
<b>Total</b>	<b>100</b>	

**TURNING MOVEMENT ABBREVIATIONS**

- NR: Traffic From North Turning Right
- NL: Traffic From North Turning Left
- NT: Traffic From North Proceeding Through
- SR: Traffic From South Turning Right
- SL: Traffic From South Turning Left
- ST: Traffic From South Proceeding Through
- ER: Traffic From East Turning Right
- EL: Traffic From East Turning Left
- ET: Traffic From East Proceeding Through
- WR: Traffic From West Turning Right
- WL: Traffic From West Turning Left
- WT: Traffic From West Proceeding Through



### Turning Movement Summary Diagram

Reference No.: 7000345

Intersection of:

27 & CENTRE ST IN SUNDRE 4-33-5-500001350

2016 p.m. 100th Highest Hour ESTIMATES

North On Centre St		
Vehicle Type	Vol	%
A: Passenger Vehicle	483	95.8
B: Recreational Vehicle	5	1.0
C: Bus	0	0.0
D: Single Unit Truck	13	2.6
E: Tractor Trailer Unit	3	0.6
<b>Total</b>	<b>504</b>	

