

Turning Movement Summary Diagram

Reference No.: 70000661

Intersection of:

27 & 4 ST, SUNDRE 4-33-5-504151500

2016 AADT / ASDT ESTIMATES

North On 4 St		
Vehicle Type	Vol	%
A: Passenger Vehicle	452	98.3
B: Recreational Vehicle	4	0.9
C: Bus	1	0.2
D: Single Unit Truck	2	0.4
E: Tractor Trailer Unit	1	0.2
<b>ASDT</b>	<b>520</b>	<b>AADT 460</b>

West On 27		
Vehicle Type	Vol	%
A: Passenger Vehicle	6543	90.5
B: Recreational Vehicle	105	1.5
C: Bus	22	0.3
D: Single Unit Truck	210	2.9
E: Tractor Trailer Unit	350	4.8
<b>ASDT</b>	<b>8220</b>	<b>AADT 7230</b>

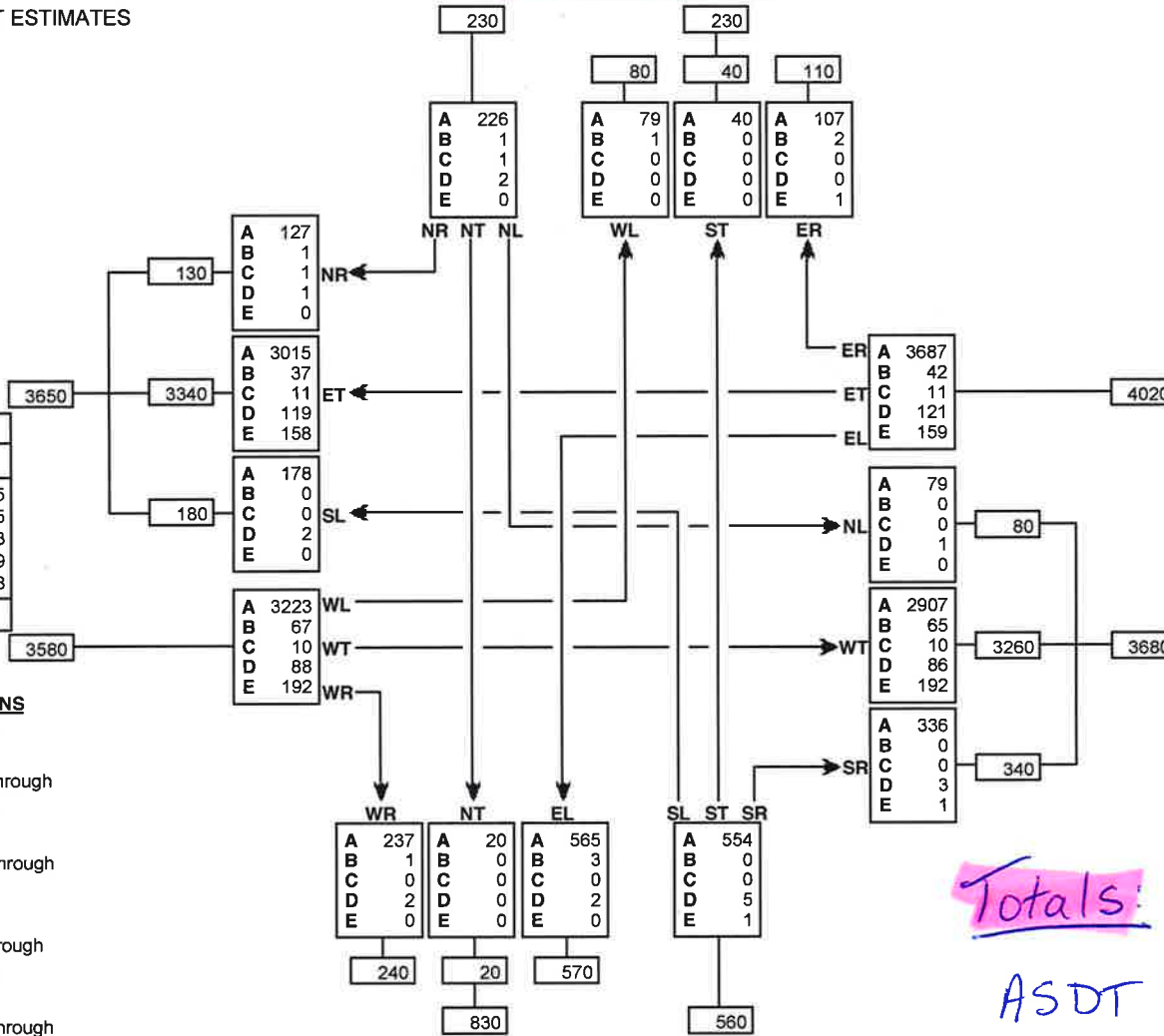
East On 27		
Vehicle Type	Vol	%
A: Passenger Vehicle	7009	91.0
B: Recreational Vehicle	107	1.4
C: Bus	21	0.3
D: Single Unit Truck	211	2.7
E: Tractor Trailer Unit	352	4.6
<b>ASDT</b>	<b>8760</b>	<b>AADT 7700</b>

**TURNING MOVEMENT ABBREVIATIONS**

- NR: Traffic From North Turning Right
- NL: Traffic From North Turning Left
- NT: Traffic From North Proceeding Through
- SR: Traffic From South Turning Right
- SL: Traffic From South Turning Left
- ST: Traffic From South Proceeding Through
- ER: Traffic From East Turning Right
- EL: Traffic From East Turning Left
- ET: Traffic From East Proceeding Through
- WR: Traffic From West Turning Right
- WL: Traffic From West Turning Left
- WT: Traffic From West Proceeding Through

**TURNING MOVEMENT ABBREVIATIONS**

- AADT:** Average Annual Daily Traffic  
Average daily traffic expressed as vehicles per day for period of January 1 to December 31 (365 days)
- ASDT:** Average Summer Daily Traffic  
Average daily traffic expressed as vehicles per day for period of May 1 to September 30 (153 days)



*Totals:* DAY | YEAR

ASDT: 19,080 | 6,964,200

---

AADT: 16,780 | 6,124,700

South On 4 St		
Vehicle Type	Vol	%
A: Passenger Vehicle	1376	99.0
B: Recreational Vehicle	4	0.3
C: Bus	0	0.0
D: Single Unit Truck	9	0.6
E: Tractor Trailer Unit	1	0.1
<b>ASDT</b>	<b>1580</b>	<b>AADT 1390</b>

### Turning Movement Summary Diagram

Reference No.: 70000661

Intersection of:

27 & 4 ST, SUNDRE 4-33-5-504151500

2016 a.m. 100th Highest Hour ESTIMATES

North On 4 St		
Vehicle Type	Vol	%
A: Passenger Vehicle	39	97.5
B: Recreational Vehicle	0	0.0
C: Bus	0	0.0
D: Single Unit Truck	1	2.5
E: Tractor Trailer Unit	0	0.0
<b>Total</b>		<b>40</b>

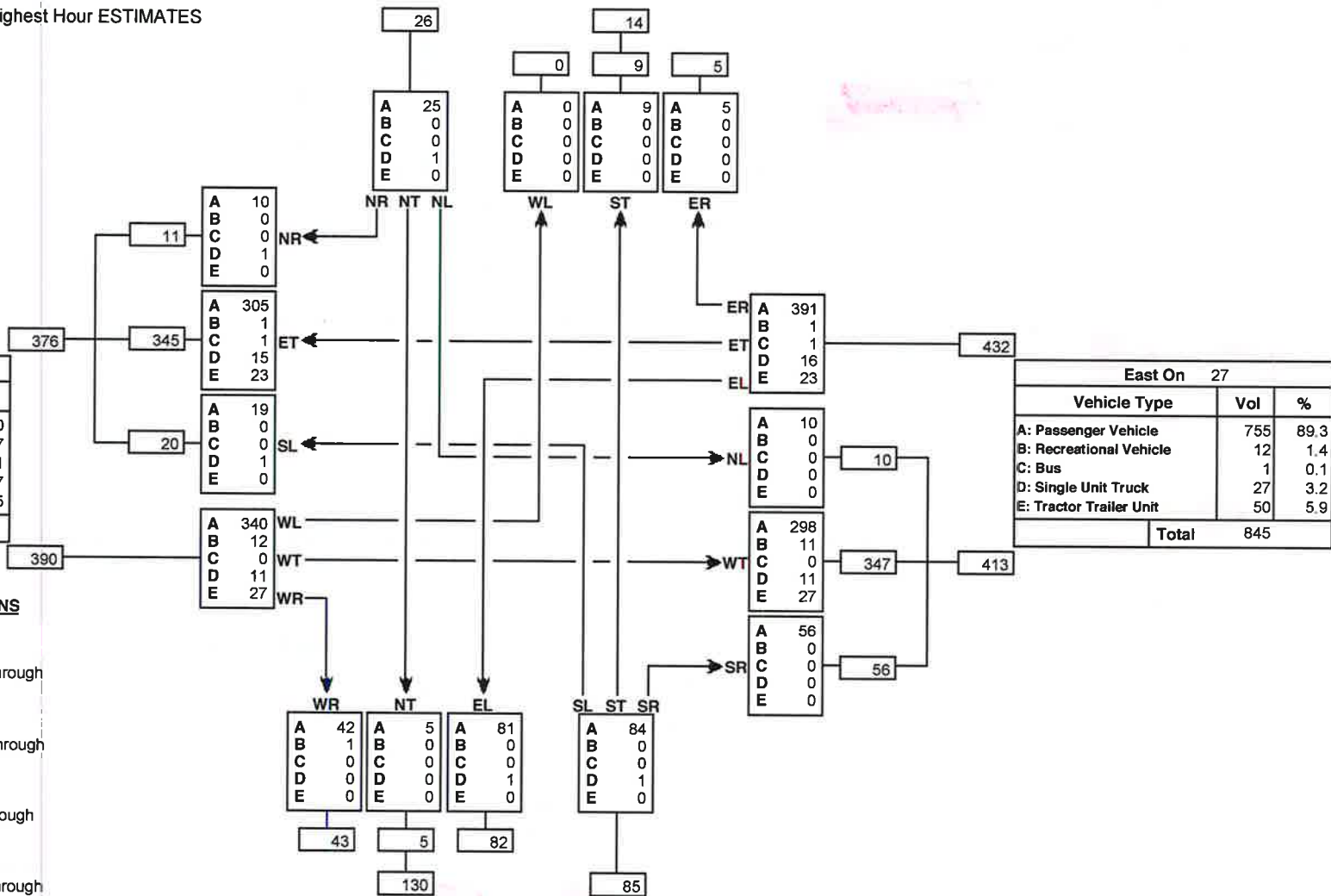
West On 27		
Vehicle Type	Vol	%
A: Passenger Vehicle	674	88.0
B: Recreational Vehicle	13	1.7
C: Bus	1	0.1
D: Single Unit Truck	28	3.7
E: Tractor Trailer Unit	50	6.5
<b>Total</b>		<b>766</b>

East On 27		
Vehicle Type	Vol	%
A: Passenger Vehicle	755	89.3
B: Recreational Vehicle	12	1.4
C: Bus	1	0.1
D: Single Unit Truck	27	3.2
E: Tractor Trailer Unit	50	5.9
<b>Total</b>		<b>845</b>

South On 4 St		
Vehicle Type	Vol	%
A: Passenger Vehicle	212	98.6
B: Recreational Vehicle	1	0.5
C: Bus	0	0.0
D: Single Unit Truck	2	0.9
E: Tractor Trailer Unit	0	0.0
<b>Total</b>		<b>215</b>

**TURNING MOVEMENT ABBREVIATIONS**

- NR: Traffic From North Turning Right
- NL: Traffic From North Turning Left
- NT: Traffic From North Proceeding Through
- SR: Traffic From South Turning Right
- SL: Traffic From South Turning Left
- ST: Traffic From South Proceeding Through
- ER: Traffic From East Turning Right
- EL: Traffic From East Turning Left
- ET: Traffic From East Proceeding Through
- WR: Traffic From West Turning Right
- WL: Traffic From West Turning Left
- WT: Traffic From West Proceeding Through



### Turning Movement Summary Diagram

Reference No.: 70000661

Intersection of:

27 & 4 ST, SUNDRE 4-33-5-504151500

2016 p.m. 100th Highest Hour ESTIMATES

North On 4 St		
Vehicle Type	Vol	%
A: Passenger Vehicle	45	100.0
B: Recreational Vehicle	0	0.0
C: Bus	0	0.0
D: Single Unit Truck	0	0.0
E: Tractor Trailer Unit	0	0.0
<b>Total</b>		<b>45</b>

