

Turning Movement Summary Diagram

North On 2 St		
Vehicle Type	Vol	%
A: Passenger Vehicle	519	97.9
B: Recreational Vehicle	0	0.0
C: Bus	1	0.2
D: Single Unit Truck	8	1.5
E: Tractor Trailer Unit	2	0.4
ASDT	600	AADT 530

Reference No.: 70000662

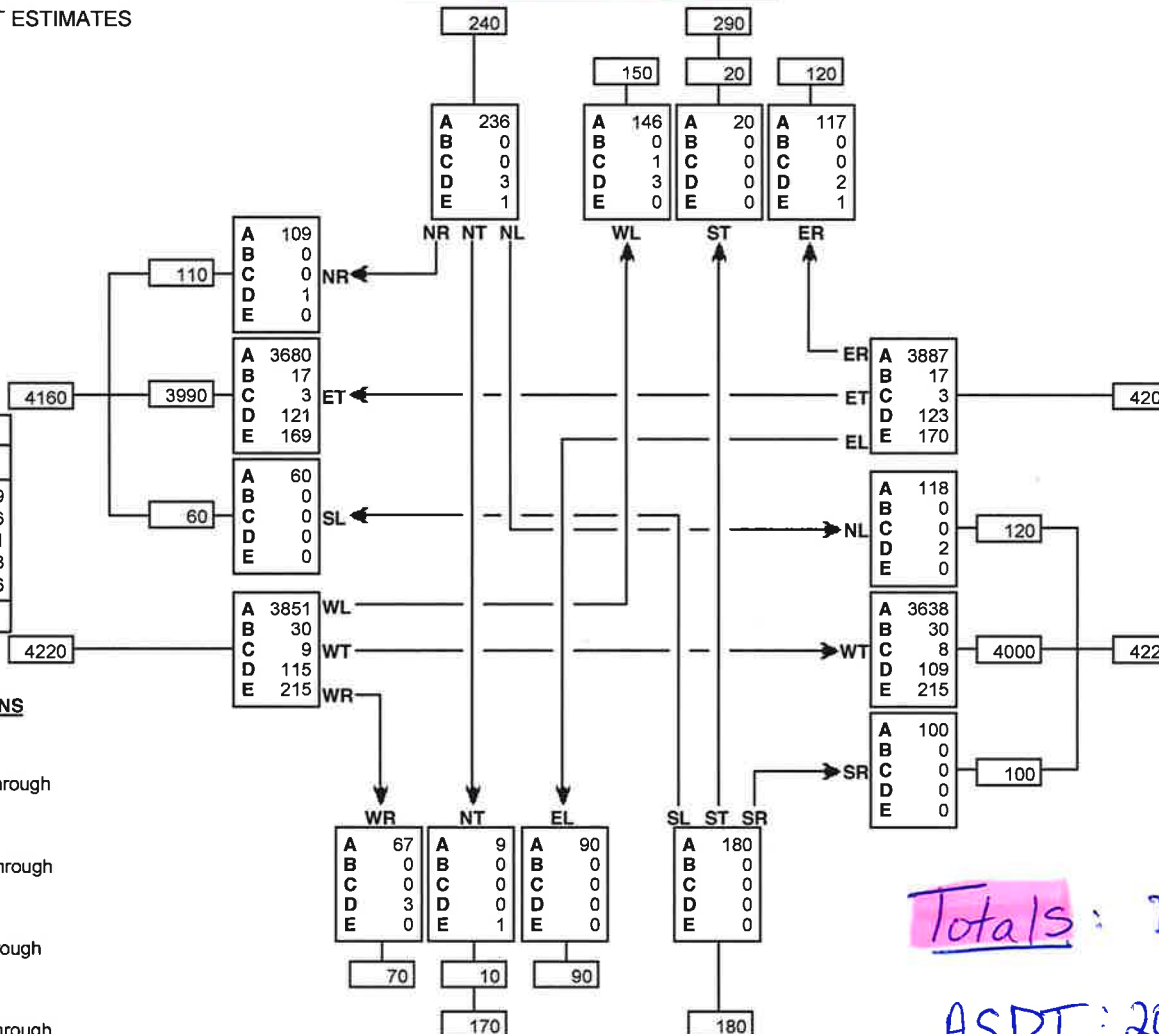
Intersection of:

27 & 2 ST, SUNDRE 4-33-5-514000160

2016 AADT / ASDT ESTIMATES

West On 27		
Vehicle Type	Vol	%
A: Passenger Vehicle	7700	91.9
B: Recreational Vehicle	47	0.6
C: Bus	12	0.1
D: Single Unit Truck	237	2.8
E: Tractor Trailer Unit	384	4.6
ASDT	9530	AADT 8380

East On 27		
Vehicle Type	Vol	%
A: Passenger Vehicle	7743	92.0
B: Recreational Vehicle	47	0.6
C: Bus	11	0.1
D: Single Unit Truck	234	2.8
E: Tractor Trailer Unit	385	4.6
ASDT	9570	AADT 8420



TURNING MOVEMENT ABBREVIATIONS

- NR: Traffic From North Turning Right
- NL: Traffic From North Turning Left
- NT: Traffic From North Proceeding Through
- SR: Traffic From South Turning Right
- SL: Traffic From South Turning Left
- ST: Traffic From South Proceeding Through
- ER: Traffic From East Turning Right
- EL: Traffic From East Turning Left
- ET: Traffic From East Proceeding Through
- WR: Traffic From West Turning Right
- WL: Traffic From West Turning Left
- WT: Traffic From West Proceeding Through

TURNING MOVEMENT ABBREVIATIONS

- AADT: Average Annual Daily Traffic
Average daily traffic expressed as vehicles per day for period of January 1 to December 31 (365 days)
- ASDT: Average Summer Daily Traffic
Average daily traffic expressed as vehicles per day for period of May 1 to September 30 (153 days)

South On 2 St		
Vehicle Type	Vol	%
A: Passenger Vehicle	346	98.9
B: Recreational Vehicle	0	0.0
C: Bus	0	0.0
D: Single Unit Truck	3	0.9
E: Tractor Trailer Unit	1	0.3
ASDT	400	AADT 350

Totals: DAY | YEAR

ASDT: 20,100 | 7,336,500

AADT: 17,680 | 6,453,200

Turning Movement Summary Diagram

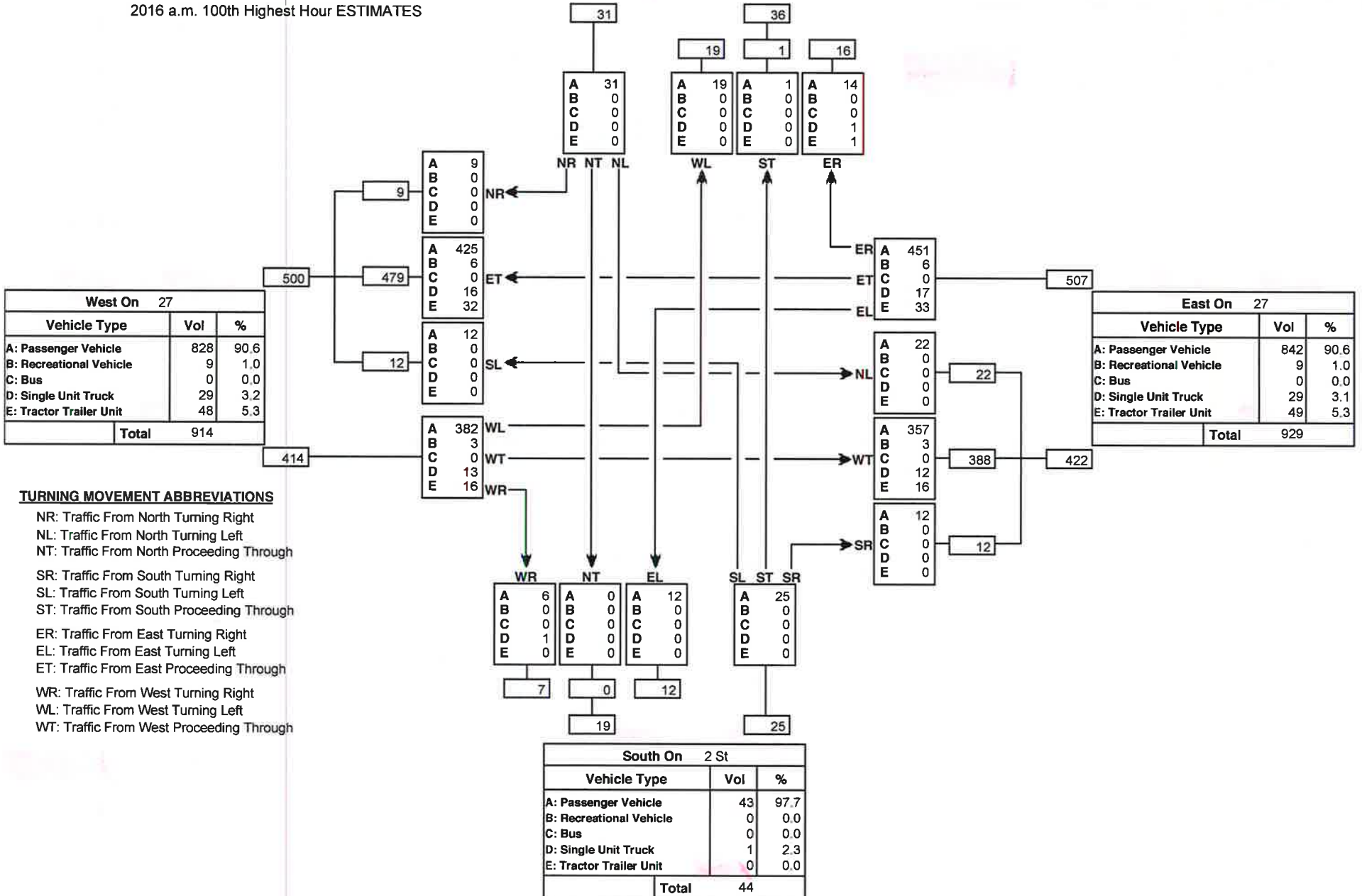
Reference No.: 70000662

Intersection of:

27 & 2 ST, SUNDRE 4-33-5-514000160

2016 a.m. 100th Highest Hour ESTIMATES

North On 2 St		
Vehicle Type	Vol	%
A: Passenger Vehicle	65	97.0
B: Recreational Vehicle	0	0.0
C: Bus	0	0.0
D: Single Unit Truck	1	1.5
E: Tractor Trailer Unit	1	1.5
Total		67



TURNING MOVEMENT ABBREVIATIONS

- NR: Traffic From North Turning Right
- NL: Traffic From North Turning Left
- NT: Traffic From North Proceeding Through
- SR: Traffic From South Turning Right
- SL: Traffic From South Turning Left
- ST: Traffic From South Proceeding Through
- ER: Traffic From East Turning Right
- EL: Traffic From East Turning Left
- ET: Traffic From East Proceeding Through
- WR: Traffic From West Turning Right
- WL: Traffic From West Turning Left
- WT: Traffic From West Proceeding Through

Turning Movement Summary Diagram

North On 2 St		
Vehicle Type	Vol	%
A: Passenger Vehicle	48	100.0
B: Recreational Vehicle	0	0.0
C: Bus	0	0.0
D: Single Unit Truck	0	0.0
E: Tractor Trailer Unit	0	0.0
Total	48	

Reference No.: 70000662

Intersection of:

27 & 2 ST, SUNDRE 4-33-5-514000160

2016 p.m. 100th Highest Hour ESTIMATES

West On 27		
Vehicle Type	Vol	%
A: Passenger Vehicle	873	95.3
B: Recreational Vehicle	5	0.5
C: Bus	2	0.2
D: Single Unit Truck	13	1.4
E: Tractor Trailer Unit	23	2.5
Total	916	

East On 27		
Vehicle Type	Vol	%
A: Passenger Vehicle	885	95.4
B: Recreational Vehicle	5	0.5
C: Bus	2	0.2
D: Single Unit Truck	13	1.4
E: Tractor Trailer Unit	23	2.5
Total	928	

TURNING MOVEMENT ABBREVIATIONS

- NR: Traffic From North Turning Right
- NL: Traffic From North Turning Left
- NT: Traffic From North Proceeding Through
- SR: Traffic From South Turning Right
- SL: Traffic From South Turning Left
- ST: Traffic From South Proceeding Through
- ER: Traffic From East Turning Right
- EL: Traffic From East Turning Left
- ET: Traffic From East Proceeding Through
- WR: Traffic From West Turning Right
- WL: Traffic From West Turning Left
- WT: Traffic From West Proceeding Through

